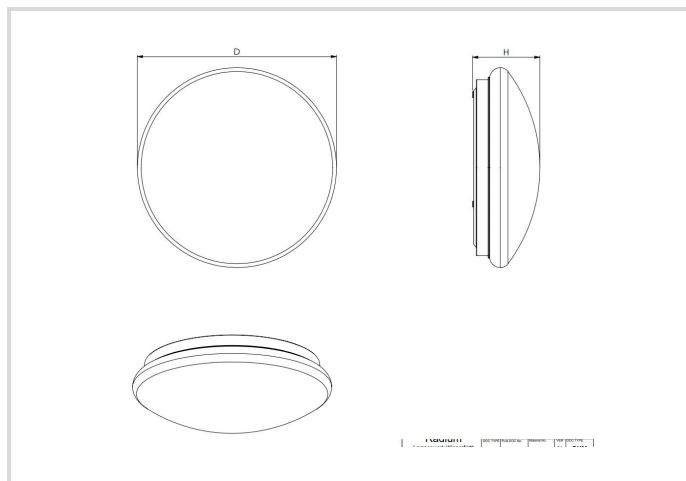


# LED Surface Luminaire Essence IP54 SENSOR

Surface E 360 24.5W CCT

# Radium

Product Datasheet Date: 01.04.2026



30004000K

## General Data

|                           |   |
|---------------------------|---|
| Article No.               | SFEA5099                                    |
| Code                      | SF E 360 24.5W CCT IP54 SENSOR              |
| Product EAN               | 4003556015173                               |
| Box quantity (pcs.)       | 6   |
| EAN Box                   | 4003556415171                               |
| Gross weight of box in kg | 5.81  |
| Length of box in m        | 0.656                                       |
| Width of box in m         | 0.4   |
| Height of box in m        | 0.405                                       |
| Product weight            | 570 g                                       |
| Product status            | <span style="color: green;">●</span> Active |

## Electric Parameters

|                      |           |
|----------------------|-----------|
| Max. system power    | 24.5 W    |
| Nominal voltage      | 220-240 V |
| Voltage type         | AC        |
| Nominal current      | 195 mA    |
| Nominal current (mA) | 195 mA    |

# LED Surface Luminaire Essence IP54 SENSOR

Surface E 360 24.5W CCT

**Radium**

## Electric Parameters

|                          |             |
|--------------------------|-------------|
| Inrush current           | 2 A         |
| Mains frequency          | 50/60 Hz Hz |
| Dimming with push-button | No          |

## Light Application Parameters

|  |               |
|--|---------------|
| Luminous flux adjustable                       | No            |
| Luminous flux                                  | 2050 lm       |
| Rated luminous flux according to IEC 62722-2-1 | 2050 lm       |
| Luminous flux @3000K                           | 1900 lm       |
| Luminous flux @4000K                           | 2050 lm       |
| Beam angle adjustable                          | No            |
| Beam angle                                     | 120 °         |
| Unified Glare Ratio (UGR)                      | 28            |
| Efficacy                                       | 83 lm/W       |
| Total mains efficacy                           | 83 lm/W       |
| Colour of light adjustable                     | Positions     |
| CCT Switch                                     | No            |
| Colour of light                                | White         |
| Color temperature                              | 3000 / 4000 K |
| Color coordinate X                             | 0.434         |
| Color coordinate Y                             | 0.403         |
| Color rendering index                          | ≥ 80          |
| Color Stability                                | ≤ 6 sdcn      |
| With light sensor                              | Yes           |

## Service Life

|                      |          |
|----------------------|----------|
| Lifetime L70B50      | 30000 h  |
| Life L80B10          | 30000 h  |
| No. switching cycles | ≥ 50.000 |
| Guarantee            | 3        |

## Specification

|              |        |
|--------------|--------|
| Diameter     | 360 mm |
| Length       | 360 mm |
| Height/depth | 100 mm |
| Width        | 360 mm |

# LED Surface Luminaire Essence IP54 SENSOR

Surface E 360 24.5W CCT

# Radium

## Specification

|  |           |
|--|-----------|
| Material                                     | CC1000069 |
| Impact strength                              | IK03      |
| Photobiological safety according to EN 62471 | RG0       |
| With light source                            | Yes       |
| Exchangeable control gear                    | Yes       |

## Notes on Operation

|   |   |
|---|---|
| Degree of protection (IP)                         | IP54                                    |
| Connection type                                   | Push-in clamp                           |
| Type of wiring                                    | Ending                                  |
| Max. number of luminaires per B10 circuit breaker | 40                                      |
| Max. number of luminaires per B16 circuit breaker | 64                                      |
| Filament test according to IEC 60695-2-11         | 650 °C - 30 s                           |
| Type of control gear                              | LED operating device voltage-controlled |
| With light sensor                                 | Yes                                     |
| With movement sensor                              | Yes                                     |
| Suitable for emergency lighting                   | No                                      |
| Emergency power supply integrated                 | No                                      |

## Information especially for EPREL

|                                      |       |
|--------------------------------------|-------|
| Mains/Non mains connectable          | MLS   |
| Directional or non-directional light | NDLS  |
| Color tunable light source           | Yes   |
| Type of color temperature            | STEPS |
| Flickering value Pst LM              | 1     |
| Stroboscope effect value SVM         | 0.4   |

## Notes

Universal LED wall and ceiling luminaire IP54, integrated LED driver with power select and sensor, adjustable light color (steps)

Please, refer to [www.radium.de/recycling](http://www.radium.de/recycling) for notes on disposal of burned-out lamps as well as lamp breakage.

The "lifespan L70" described for LED lamps indicates the number of hours when the luminous flux has decreased to 70% of its initial value.

The optimal field 'info about service life' contains the frame conditions according to standards based on which the specific service life has been determined. So, for example, "12B50, 50Hz" means that the mean service life (B50) has been determined with a 12h switching cycle at mains (frequency 50Hz), "3B50, HF" is based on a 3h switching cycle at electronic control gear (high frequency).

## Special features



## General notes

# LED Surface Luminaire Essence IP54 SENSOR

Surface E 360 24.5W CCT

# Radium

The technical design data in accordance with DIN and IEC. The producer does not take any responsibility for damage to persons or property in case of unsuitable operation or handling of the product. Operating data and dimensions are valid within the usual tolerances. Related lamp types (different bases, mains voltages) may be available on request. Sale and delivery are effected in accordance with the Radium Terms of Delivery and Payment valid on the day of conclusion of contract. Packing units offer economical advantages to the purchase and logistic department. Please match your quantity volume accordingly. For orders of a minimum quantity (clefts) with a lamp model the amount lower than the volume of each packaging unit, we will invoice 10 % additional charge per lamp type. Technical changes and terms of delivery are reserved. Manipulation of any kind to packaging or product is not permissible as this will violate Radium brand rights. Furthermore, technical properties of the product can change to its disadvantage or even destruction. Therefore, Radium cannot be responsible for consequential damages.

® = Registered trademark

Subject to change without notice. Errors and omissions excepted.

All technical data without guarantee.