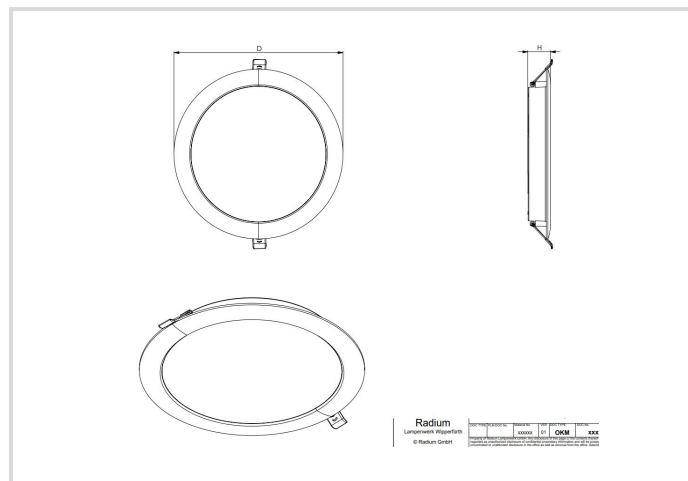


LED Downlight Essence IP54

195-205mm 22W/830 IP54

Radium

Product Datasheet Date: 14.04.2026



General Data

Article No.	DLEA5104
Code	DL E 195-205 22W/830 IP54
Product EAN	4003556015340
Box quantity (pcs.)	24
EAN Box	4003556415348
Gross weight of box in kg	6.454
Length of box in m	0.466
Width of box in m	0.238
Height of box in m	0.475
Product weight	180 g
Product status	● Active

Electric Parameters

Max. system power	22.0 W
Nominal voltage	220-240 V
Voltage type	AC
Nominal current	171 mA
Nominal current (mA)	171 mA

Electric Parameters

Number of poles	2
Inrush current	1 A
Mains frequency	50/60 Hz Hz
Dimming with push-button	No
Power Select	No

Light Application Parameters

Luminous flux adjustable	No
Luminous flux	2250 lm
Luminous flux	2250 lm
Beam angle adjustable	No
Beam angle	110 °
Unified Glare Ratio (UGR)	28
Efficacy	102 lm/W
Total mains efficacy	102 lm/W
Colour of light adjustable	No
CCT Switch	No
Colour of light	White
Color temperature	3000 K
Color coordinate X	0.434
Color coordinate Y	0.403
Color rendering index	≥ 80
Color Stability	≤ 6 sdcn
Light sharing	Symmetric
With light sensor	No

Service Life

Lifetime L70B50	30000 h
Life L80B10	30000 h
No. switching cycles	≥ 50 000
Guarantee	3

Specification

Diameter	223 mm
Length	223 mm
Height/depth	30 mm

LED Downlight Essence IP54

195-205mm 22W/830 IP54

Radium

Specification

Width	223 mm
Cable Length	0.1 m
Material	PC/ PS
Impact strength	IK03
Photobiological safety according to EN 62471	RG0
With light source	Yes
Exchangeable control gear	No

Notes on Operation

Degree of protection (IP)	IP54
Connection type	Other
Type of wiring	Ending
Max. number of luminaires per B10 circuit breaker	45
Max. number of luminaires per B16 circuit breaker	71
Ambient temperatures	-20...+40 °C
Luminaire with limited surface temperature, sign "D" according to EN 60598-2-24	No
Filament test according to IEC 60695-2-11	650 °C - 30 s
Type of control gear	LED operating device voltage-controlled
With light sensor	No
With movement sensor	No
Emergency power supply integrated	No

Information especially for EPREL

Lighting technology	LED
Mains/Non mains connectable	MLS
Directional or non-directional light	DLS
Color tunable light source	No
Type of color temperature	SINGLE_VALUE
Flicker	1.0
Stroboscopic effect	0.4

Notes

Flat LED downlight IP54 for surface/recessed mounting and various ceiling cutouts, Power Select, uniform light emission.

Please, refer to www.radium.de/recycling for notes on disposal of burned-out lamps as well as lamp breakage.

The "lifespan L70" described for LED lamps indicates the number of hours when the luminous flux has decreased to 70% of its initial value.

The optimal field 'info about service life' contains the frame conditions according to standards based on which the specific service life has been determined. So, for example, "12B50, 50Hz" means that the mean service life (B50) has been determined with a 12h switching cycle at mains (frequency 50Hz), "3B50, HF" is based on a 3h switching cycle at electronic control gear (high frequency).

LED Downlight Essence IP54

195-205mm 22W/830 IP54

Radium

Special features



General notes

The technical design data in accordance with DIN and IEC. The producer does not take any responsibility for damage to persons or property in case of unsuitable operation or handling of the product. Operating data and dimensions are valid within the usual tolerances. Related lamp types (different bases, mains voltages) may be available on request. Sale and delivery are effected in accordance with the Radium Terms of Delivery and Payment valid on the day of conclusion of contract. Packing units offer economical advantages to the purchase and logistic department. Please match your quantity volume accordingly. For orders of a minimum quantity (clefts) with a lamp model the amount lower than the volume of each packaging unit, we will invoice 10 % additional charge per lamp type. Technical changes and terms of delivery are reserved. Manipulation of any kind to packaging or product is not permissible as this will violate Radium brand rights. Furthermore, technical properties of the product can change to its disadvantage or even destruction. Therefore, Radium cannot be responsible for consequential damages.

® = Registered trademark

Subject to change without notice. Errors and omissions excepted.

All technical data without guarantee.